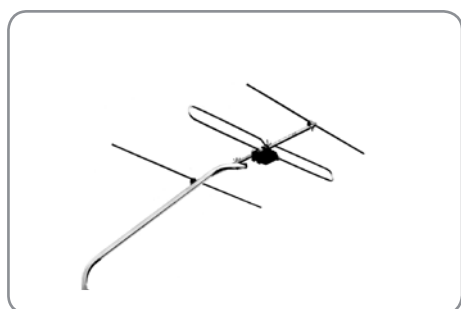
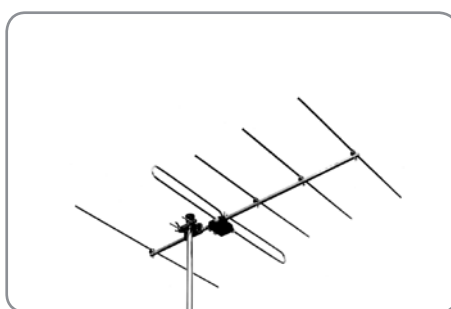


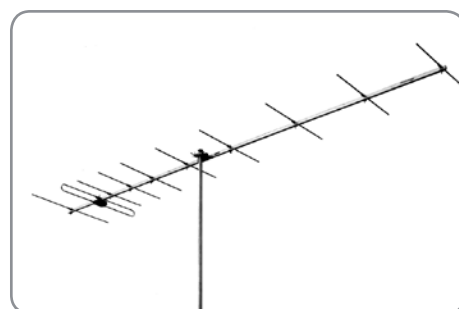
Band III aerials are wideband, channel or channel group types for horizontal or vertical mounting. The aerials are provided with brackets for masts up to Ø60 mm or with window brackets.



Channel 5-12 - 4 elem. window



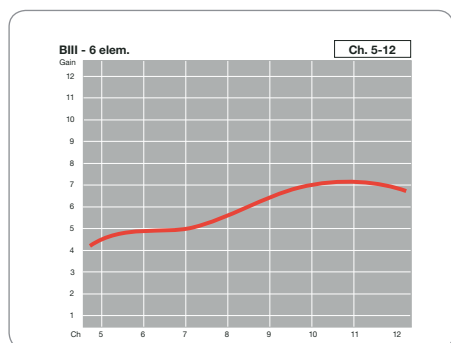
Channel 5-12 - 6 elem.



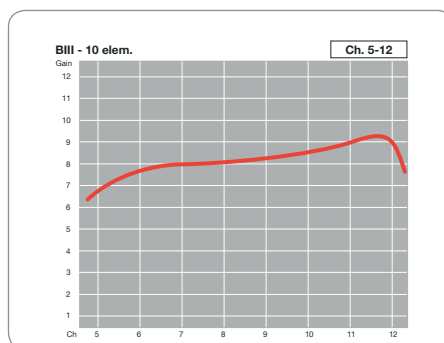
Channel 5-12 - 10 elem.

## Technical data

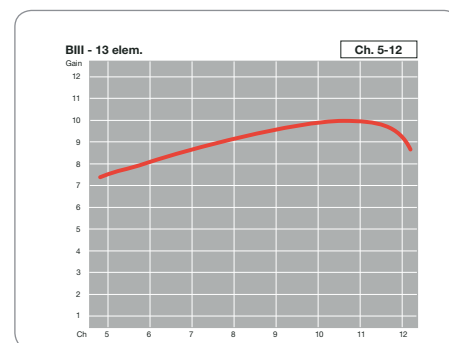
Type		Channel	Channel	Channel	Channel	Channel	Channel	Channel
Art. No.		5-12	5-12	5-12	5-12	5-12	5-12	5-11
		104663	106663	103861	103862	104665	104579	100582
Channel		5-12	5-12	5-12	5-12	5-12	5-12	5-11
Band		BIII	BIII	BIII	BIII	BIII	BIII	BIII
Elements	pcs.	4	4	4	6	6	10	13
Gain	dBi	5.0	5.0	5.0	7.5	7.5	9.5	11.5
Front to back ratio	dB	14	14	14	16	16	22	25
Beamwidth hor.	deg. (°)	± 34	± 34	± 34	± 26	± 26	± 23	± 18
Windload	N	34	34	34	48	48	78	120
Weight	kg	0.7	0.7	0.7	0.9	0.9	1.3	3.0
Material		Alu.	Alu.	Alu.	Alu.	Alu.	Alu.	Alu.
Dimensions								
length	mm	852	852	852	1410	1410	1735	3580
width	mm	800	800	800	800	800	880	810
Connector		SC-type	SC-type	F-con	F-con	SC-type	SC-type	SC-type
Construction type		MTH	MTHV	MTHV	MTH	MTH	MTHD	MTD
Remarks			Vertical					Split beam



Ch. 5-12 6 elem.



Ch. 5-12 10 elem.



Ch. 5-12 13 elem.

