

DHI-ASI2201H-W / DHI-ASI2201H-DW

Access Standalone



System Overview

With a high-end design, the access controller is equipped with a powerful processor that empowered by deep-learning algorithms. It also supports unlock modes including cards, passwords and their combination.

Scene

The access controller is applied to access control scenarios such as office buildings, schools, parks, apartment complex, factories, business center, government buildings and more.

Technical Specification

System

Main Processor	High-performance embedded processor
Network Protocol	IPv4; TCP; UDP; P2P

Basic

Display Screen	2.4" LCD
Screen Type	LCD
Resolution	240 (H) × 320 (V)
Voice Prompt	Yes
Buzzer	Yes
Casing	PC + ABS/acrylic panel

Function

Unlock Mode	Card/Remote/Password unlock and unlock through their combinations
Card Type	IC or ID card
Period List	128
Holiday Period	128
Network Update	Yes

- PC + ABS, suitable for indoor and outdoor use.
- 2.4" LCD screen with a resolution of 240 × 320.
- Operating temperature: -30 °C to +65 °C (-22 °F to +149 °F).
- IP65 rated (silicone sealant is needed, see Quick Start Guide).
- Option to switch between reader and controller mode for added convenience.
- 30,000 users, 30,000 cards, 30,000 passwords, 50 admin accounts, and 150,000 records.
- Card/remote/password unlock and unlock through their combinations.
- IC card, ID card and NFC technology.
- Brand-new design with a slim, elegant structure.
- Supports access control security module expansion to avoid tampering, increasing access safety.
- Supports duress alarm, tamper alarm, intrusion alarm, door contact timeout alarm, illegal card exceeding threshold alarm, illegal password exceeding threshold alarm and external alarm.
- Supports guest users, patrol users, blocklist users, VIP users, general users, and others.
- TCP/IP and Wi-Fi communication; auto registration, P2P registration, and DHCP.
- Supports PC/mobile web client.
- Supports online update and USB update.
- Doorbell function.
- Audio prompts.
- Compatible with SmartPSS-AC and DSS Pro.

First User Unlock	Yes
Remote Verification	Yes
Restricted List/Trusted List	Yes
Wi-Fi	Yes
Peripheral Card Reader	1 × RS-485 card reader 1 × Wiegand card reader
Multi-user Authentication	Yes
Multi-factor Authentication	Yes
Web Configuration	Yes
Auto Registration	Yes

Performance

Card Reading Distance	0-5 cm (0" to 1.97")
-----------------------	----------------------

User

User (Card) Type	General user, VIP user, patrol user, guest user, blocklist user and others
------------------	--

Capacity

User Capacity	30,000 users
Card Capacity	30,000
Password Capacity	30,000
Record Capacity	150,000 unlock records

Port

RS-485	1
RS-232	1
Wiegand	1-ch input/output
USB	1 × USB2.0 port
Network Port	1 × RJ-45, 100 Mbps
Alarm Input	2 (digital quantity)
Alarm Output	1 (relay)
Alarm Linkage	Yes
Doorbell	1
Exit Button	1
Door Status Detection	1
Lock Control	1

Alarm

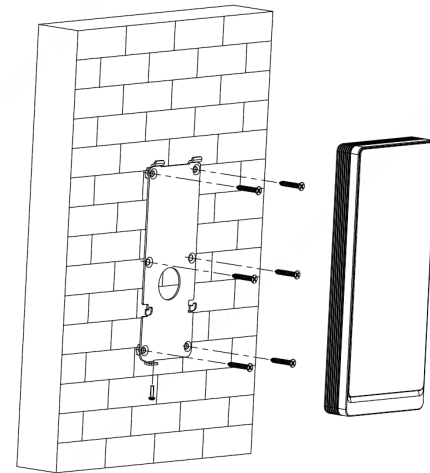
Anti-pass Back	Yes
Tamper Alarm	Yes
Duress Alarm	Yes
Door Sensor Timeout	Yes
Intrusion	Yes
Illegal Card Exceeding Threshold	Yes

General

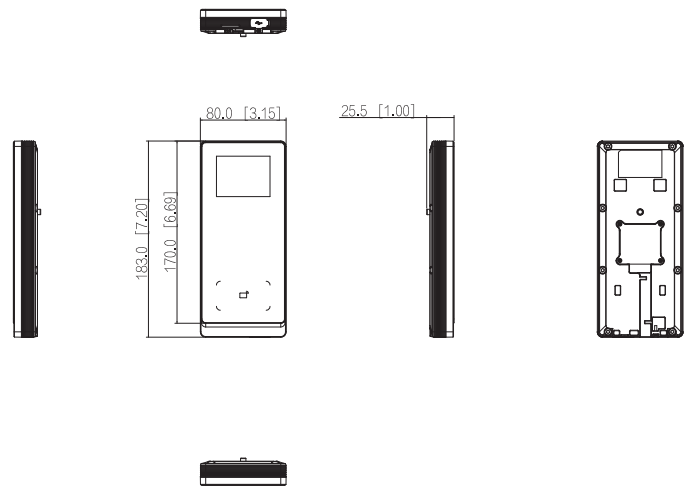
Power Adapter	Optional
Power Supply	12 V DC, 1 A
Protection	IP65 (silicone sealant is needed, see the quick start guide)
Power Consumption	≤ 12 W
Product Dimensions	183 mm × 80 mm × 25.5 mm (7.20" × 3.15" × 1.00") (H × W × D)
Packaging Dimensions	248 mm × 143 mm × 66 mm (9.76" × 5.63" × 2.60") (H × W × D, 1 in an inner carton)
Operating Temperature	-30 °C to +65 °C (-22 °F to +149 °F)
Operating Humidity	10%–95% (RH), no condensing
Operating Environment	Indoor; outdoor
Net Weight	262 g (0.58 lb)

Gross Weight	462 g (1.02 lb)
Accessory	Bracket (included)
Installation	Surface mount
Certifications	CE; FCC

Installation



Dimensions (mm[inch])



Panels

