



YLI ELECTRONIC

# European Standard Electric Hook Bolt Lock For Sliding Door

## Model: YSD-230



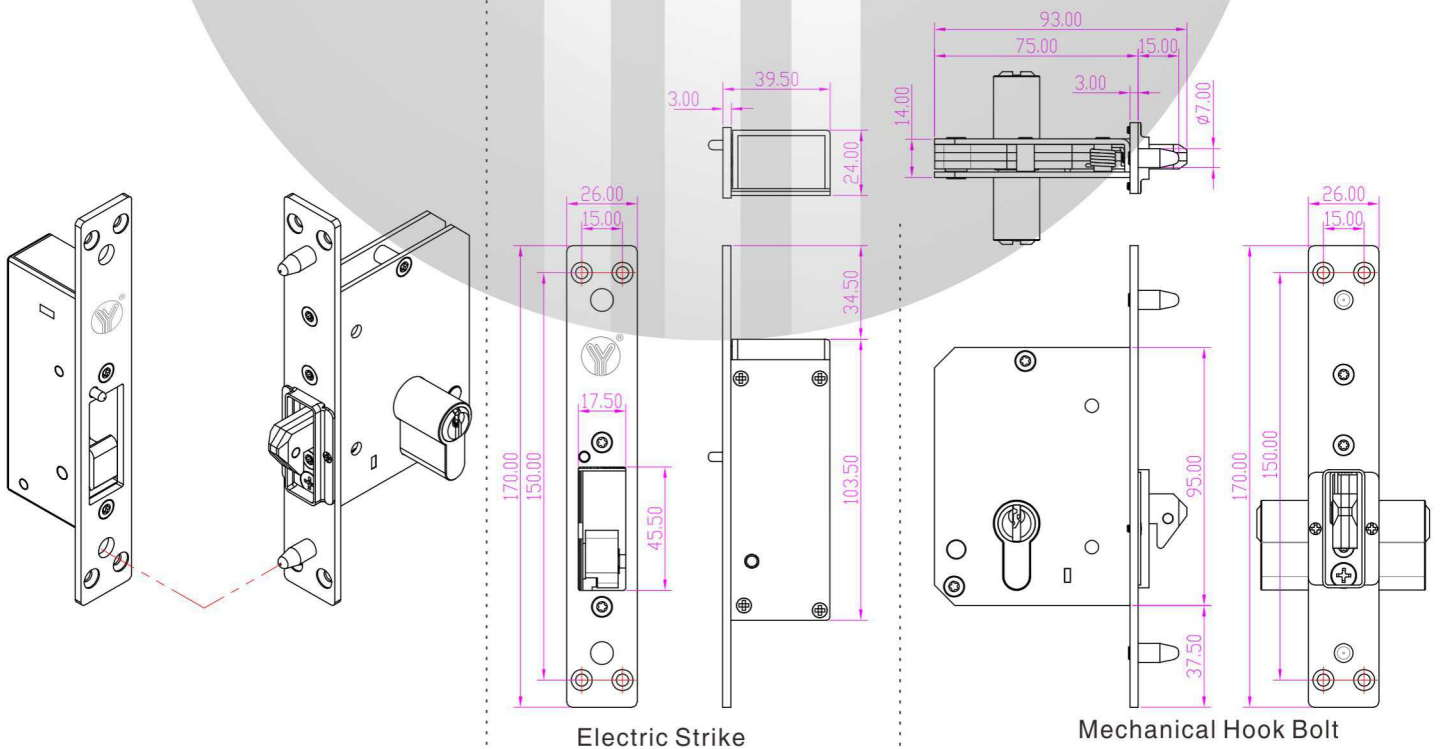
### Parameters

Electric Strike Size	170Lx26Wx39.5H(mm)
Mechanical Hook Bolt Size	170Lx26Wx93H(mm)
Voltage	DC 12 V
Current	NO:240mA ±10%;NC:200mA ±10%
Signal Output	Door Status Signal Output(NO/NC/COM)
Feature	Fail Secure(NO);Fail Safe(NC)
Holding Force	800kg
Waterproof Level	IP 55
Operating Temperature	-20℃~ +60℃
Operating Humidity	0~95%(non-condensing)
Mechanical Hook Material	Su304 Stainless Steel
Application	Public security organs, Procuratorate ,Prison etc
Weight	1.5kg

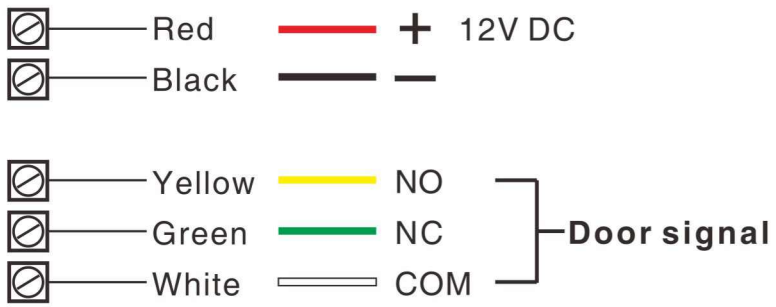
### Product Features

- European standard cylinder.operated by both electronic and manual (Emergency )
- Anti-vandal function
- Stainless steel anti-vandal protector
- With IP rating IP55, this item can be used for indoor and outdoor
- Endurance : Over 500,000 cycles
- Operating Temperature: -20℃~ +60℃

### Dimension



## Wiring Diagram



## Installation Schematic

